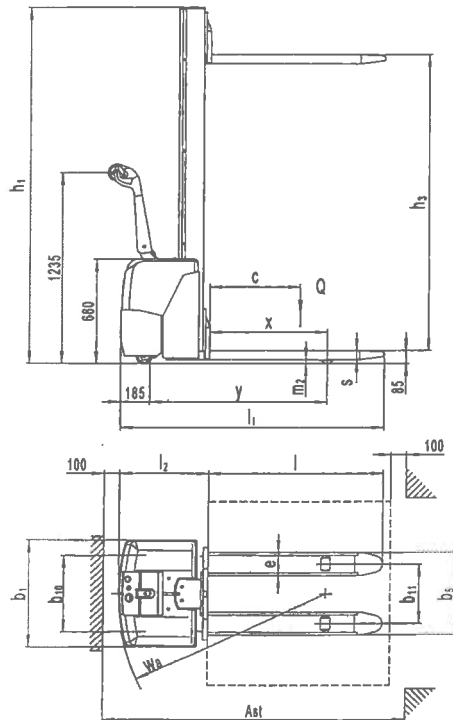


Power Stacker



Handle Option



Canbus Handle



Noblelift Handle

CME1016

New



Residual Capacity at different lifting height

Up to h3 mm	ACTUAL CAPACITY (Q) kg	
1600	1000	700
2000	1000	500
Load centre distance (C) mm	600	700

1KG=2.2LB 1INCH=25.4MM

- Compact structure.
- Suitable for light duty stack on level floor.
- Large capacity battery for long time usage.
- The travel speed will be limited when the forks is up to 300mm.
- Electronic Controller: Curtis



1KG=2.2LB 1INCH=25.4MM

		CME1016	CME1020		
Identification	1.2	Manufacturer's type designation			
	1.3	Drive:electric(battery or mains), diesel, petrol, fuel gas, manual			
	1.4	Type of operation :hand , pedestrian, standing, seated, order-picker			
	1.5	Load Capacity / rated load	Q(t)	1	
	1.6	Load centre distance	c(mm)	600	
	1.8	Load distance ,centre of drive axle to fork	x(mm)	782	
	1.9	Wheelbase	y(mm)	1170	
	Weights	2.1	Service weight	kg	530
		2.2	Axle loading,laden front/rear	kg	850/680
2.3		Axle loading,unladen front/rear	kg	320/210	
Wheels,Chassis	3.1	Tyres:solid rubber,superelastic,pneumatic,polyurethane			
	3.2	Tyre size,front		polyurethane	
	3.3	Tyre size,rear		252x89	
	3.4	Additional wheels(dimensions)		84x70	
	3.5	Wheels,number front/rear(x=driven wheels)		100x40	
	3.6	Track width,front	b ₁₀ (mm)	1x+2/4	
	3.7	Track width,rear	b ₁₁ (mm)	500	
	Basic Dimensions	4.2	Lowered mast height	h ₁ (mm)	390
		4.3	Free lift	h ₂ (mm)	1970
		4.4	Lift height	h ₃ (mm)	1530
		4.5	Extended mast height	h ₄ (mm)	1930
		4.9	Height of tiller in drive position min./max.	H ₁ (mm)	1970
		4.15	Lowered height	h ₁₁ (mm)	2370
		4.19	Overall length	l ₁ (mm)	85
		4.20	Length to face of forks	l ₂ (mm)	1725
4.21		Overall width	b ₁ (mm)	573	
4.22		Fork dimensions	s/e/l(mm)	692	
4.25		Width over forks	b ₅ (mm)	60/150/1150	
4.32		Ground clearance,centre of wheelbase	m ₂ (mm)	540	
4.33		Aisle width for pallets 1000X1200 crossways	Ast1(mm)	25	
4.34		Aisle width for pallets 800X1200 lengthways	Ast2(mm)	2000	
4.35		Turning radius	Wa(mm)	1950	
Performance Data	5.1	Travel speed,laden/unladen	km/h	1360	
	5.2	Lift speed, laden/unladen	mm/s	5/5.2	
	5.3	Lowering speed,laden/unladen	mm/s	76/197	
	5.8	Max.gradient performance,laden/unladen	%	106/110	
	5.10	Service brake		5/10	
	E-Motor	6.1	Drive motor rating	kw	electromagnetic
6.2		Lift motor rating	kw	0.75	
6.3		Battery acc.to BS,no		1.2	
6.4		Battery voltage,nominal capacity	V/Ah	no	
8.1	Type of drive control		2 x 12/100		
8.4	sound level at driver's ear acc.to EN 12053	dB(A)		MOSFET Control	
				<70	

All of the information reported herein is based on data available at the time of printing. The factory reserves the right to modify its own products at any time without notice or liability in any sanctions. Please verify with the factory for possible updates and changes.