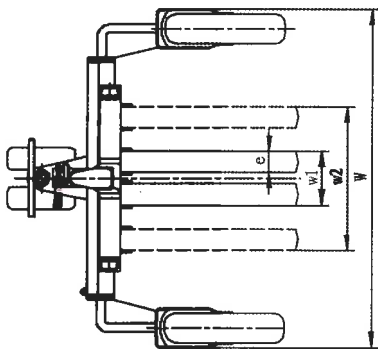
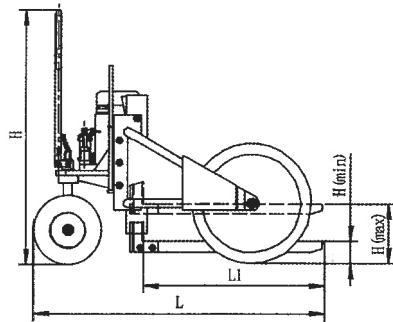


Rough Terrain Truck



New

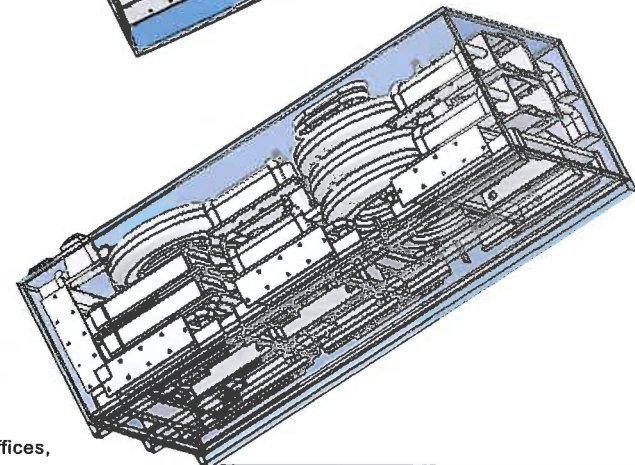
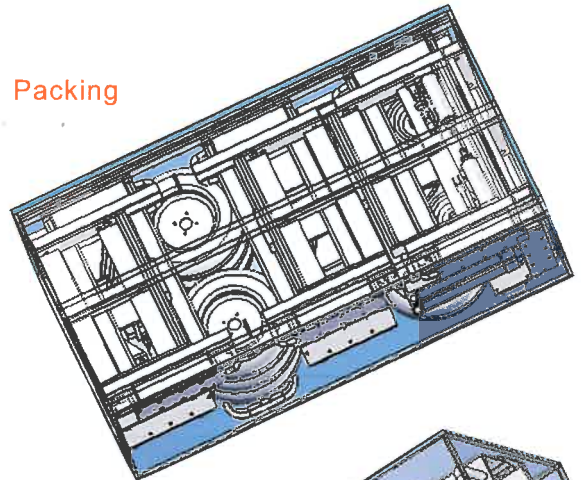


RTT12

1KG=2.2LB 1INCH=25.4MM

Model		RTT12
Capacity Q	Kg	1200
Fork Length L _i	mm	860
Fork width. e	mm	100
Adjustable Fork Width w ₁ -w ₂	mm	212-735
Max.Fork Height H (Max)	mm	233
Min.Fork Height H(Min)	mm	63
Max.Pump Stroke	mm	170
Overall Size LxWxH	mm	1375 x 1605 x 1200
Front Wheel Dia.x Width	mm	550 x 132
Rear Wheel Dia.x Width	mm	265 x 80
Width inside the front wheel	mm	1277
Net Weight	Kg	225
Minimum Qty.	n	7 purchase
Load Centre C	mm	450

Packing



In Europe ,50% pallets are under 300kg weight.

To replace hydraulic pallet truck when under 600kg load.

Pallets are simply lifted by pulling the handle backwards (the leverage principle).

Saves a lot of time as no pumping is required.

Extremely low weight, about 26kg.

Thanks to the low weight, the mechanic lifter can easily be carried to other floors, put into a truck or a car.

Foldable. When not in use, it can be hung up on a hook on the wall.

No hydraulic pump to repair, no oil can leak out, no seals to replace.

Ideal for grocery stores, all kind of small stores, pharmaceutical industry, drugstores, offices, schools, hospitals etc.