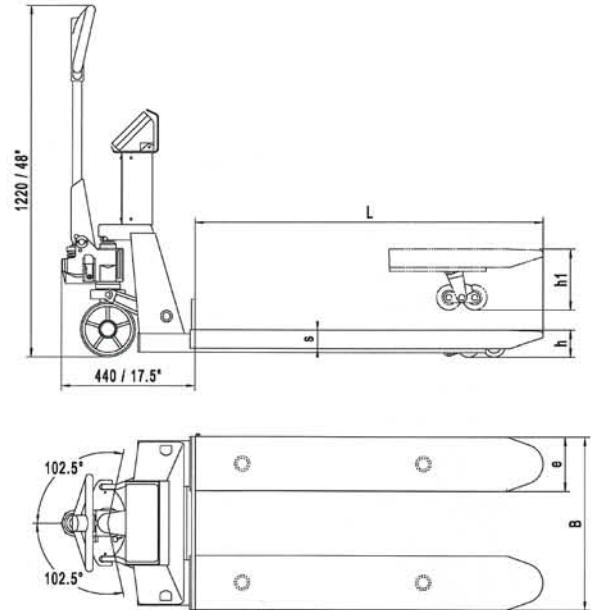


Hand Pallet Truck

Item/Type		SAC-W20H	SAC-W20L
Capacity Q	kg	2000	2000
	lb	4400	4400
Min. fork height h	mm	85	76
	inch	3 3/8	3
Max. fork height h1	mm	200	190
	inch	7 7/8	7 3/8
Steering wheel	mm	φ 180x50	φ 180x50
	inch	7 5/64x2	7 5/64x2
Load roller Single	mm	φ 64x70	φ 64x70
	inch	2 1/2x2 3/4	2 1/2x2 3/4
Load roller Tandem	mm	182x50	182x50
	inch	7 9/32x2	7 9/32x2
Size of fork e*s	mm	572/692	
	inch	22 33/64;27 1/4	
Width overall forks B	mm	1150/1220	
	inch	45 ;48	
Fork length l	mm	1580/1650	
	inch	62;65	
Battery		DC7.2v, 5000mAh(charged battery); DC6v,5.0Ah(storage battery)	
Charger		AC 110~240V	



■ **Conforms to EN 1757-2**

- With enough intensity and stability
- The forks are different from the traditional's
- Four accurate load cells



- Scales display the weight of the load on the forks more clearly
- Can be act as a counter and check the weight
- Muilt-choice of the power supply: ferronickel battery, dry battery, etc.
- Conforms to the requirements of ROHS from Europe



SAC-W

Fix the forks with four bolts.