

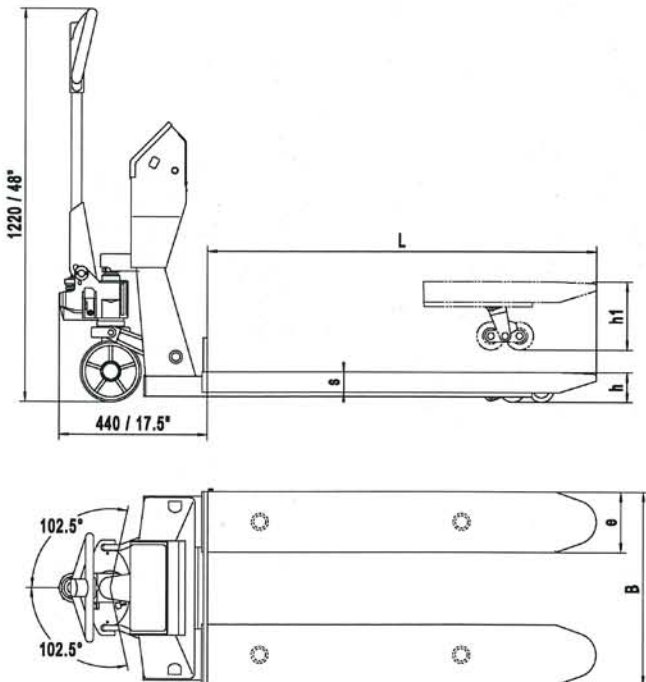
# Hand Pallet Truck

## Pallet Truck with Scale

Item/Type		SAC20H	SAC20L
Capacity Q	kg	2000	2000
	lb	4400	4400
Min. fork height h	mm	88	76
	inch	3 15/32	3
Max. fork height h1	mm	200	190
	inch	7 7/8	7 3/8
Steering wheel	mm	φ 180x50	φ 180x50
	inch	7 5/64x2	7 5/64x2
Load roller Single	mm	φ 74x93	φ 64x93
	inch	2 29/32x3 5/84	2 1/2x3 5/8
Load roller Tandem	mm	φ 74x70	φ 64x70
	inch	2 29/32x2 3/4	2 1/2x2 3/4
Size of fork e*s	mm	178x60	178x60
	inch	7x2 11/32	7x2 11/32
Width overall forks B	mm	568/703	
	inch	22 11/31;27 21/32	
Fork length l	mm	1150/1220	
	inch	45 1/4;48	
	Power	DC5v,I≤1.5A	
Printer	Port	Serial	
	Paper	44.5mm/1 3/4in (width)x φ 40mm/1.6in(dia)	

■ **Conforms to EN 1757-2**

- Features Weighing accuracy ±2kg for load 2000kg
- Pallet truck complete with built in weighing scales
- Strong robust low profile painted frame
- Runs off six rechargeable “D” cell batteries/ or mains
- Battery charger included
- Scales clearly display the weight of the load on the forks
- Four accurate load cells



With printer

